

使用说明书 User Manual

使用产品前请仔细阅读本使用说明书，并保留备用。
Before using the product, please read the User Manual
carefully and keep it for future reference.

TOTO

TOTO

OG553Y
2022.04

目录

目 录

| | |
|------------------|---|
| 目 录..... | 1 |
| 明细单..... | 2 |
| 使用条件与使用上的注意..... | 3 |
| 保养..... | 4 |
| 产品示意图..... | 5 |
| 拆卸与检查..... | 6 |
| 产品保修卡..... | 7 |
| 合格证..... | 8 |

明细单

明 细 单

| | |
|--------------------|----|
| 固定杆组品..... | 1套 |
| 固定座+上装饰盖+下装饰盖..... | 2套 |
| 自攻螺钉（2个）..... | 2套 |
| 施工说明书..... | 1本 |
| 使用说明书..... | 1本 |

使用此明细单的产品包括：

TBW07018* 滑动式淋浴支架（950mm）



TBW07019* 滑动式淋浴支架（740mm）

使用条件与使用上的注意

使用条件

1. 使用环境温度1℃以上。
2. 如果您需要废弃本产品，请勿将其作为一般生活垃圾处理，请依照法规经由独立的回收体系进行合适的处理、恢复和回收。
3. 本说明书的产品具有放置花洒及调节淋浴高度的功能。

使用上的注意

-  **警告** 表示如果无视此标志而误操作时，有可能造成人员重伤或死亡。
-  **注意** 表示如果无视此标志而误操作时，有可能造成人身伤害或财产损失。

警告

1. 幼儿禁止使用或幼儿需要由成年人监护使用、老人和残障人士等特殊群体应在有行动能力人员陪同下使用。
2. 切勿悬吊或靠在产品各部位，否则因安装不稳定导致产品掉落而可能会造成人员受伤。

注意

1. 请勿撞击本产品，否则可能会造成故障。
2. 调节滑动座时一定要先拧松旋钮，以免损坏固定杆。
3. 必须使用中性洗涤剂清洗，中性以外的洗涤剂会破坏镀层或使表面变色。
4. 不得使用酸性洗涤剂和去污粉、抛光粉等含粗颗粒的洗涤剂和尼龙刷，否则可能会破坏镀层等。
5. 可使用软布擦拭，间或用机油或车用蜡浸布擦拭，但请勿接触树脂部件，否则可能会失去光泽或产生锈蚀。
6. 随着产品式样的不断更新，实物存在与图示不符的情况，但基本安装、使用原理相同。

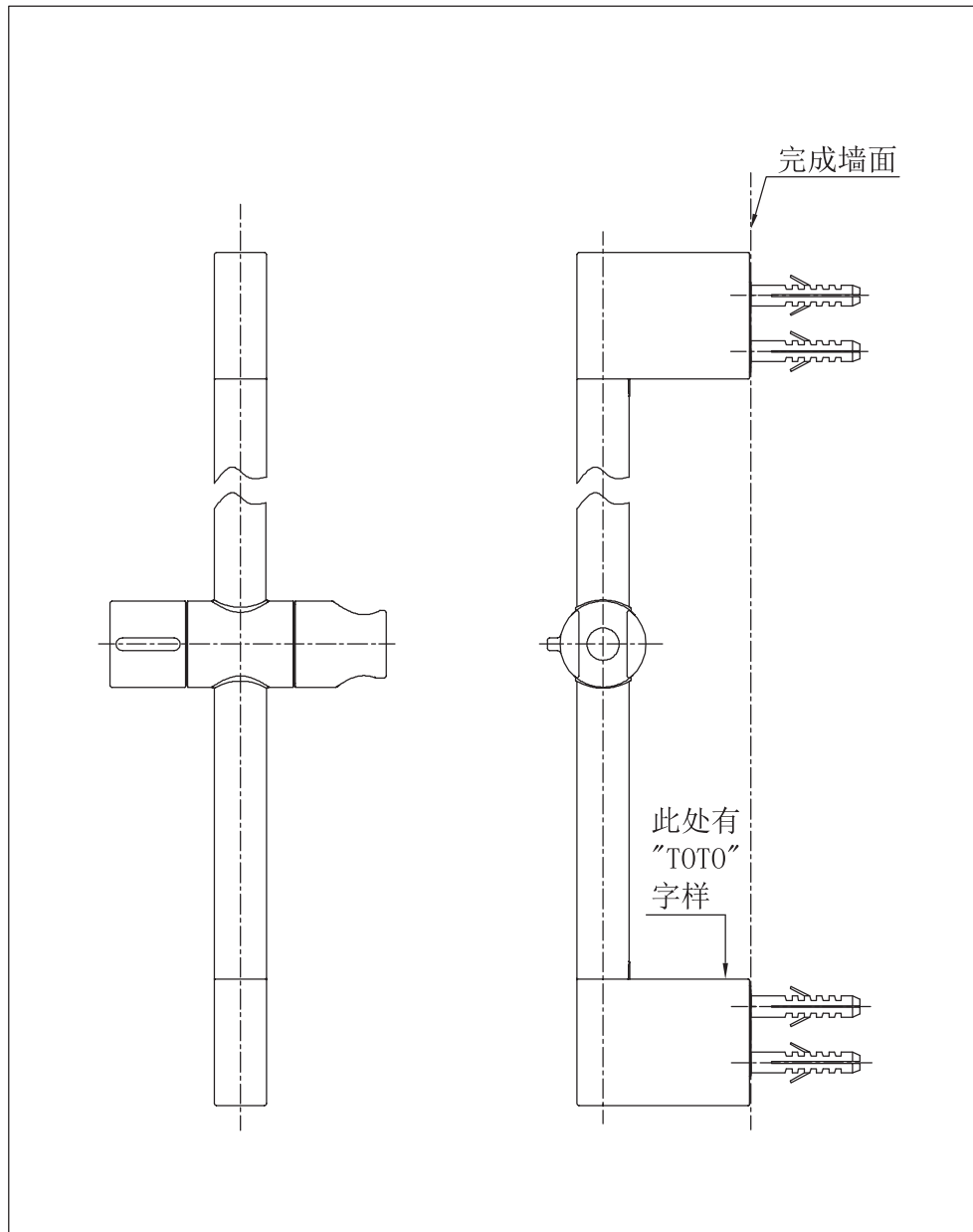
保养

保养

为长期保持产品的美观，请用户按以下方法维护保养。

1. 经常用软布擦拭，间或用软布蘸水擦拭。
2. 当有污垢且较明显时，请用中性洗涤剂擦拭后充分进行水洗。

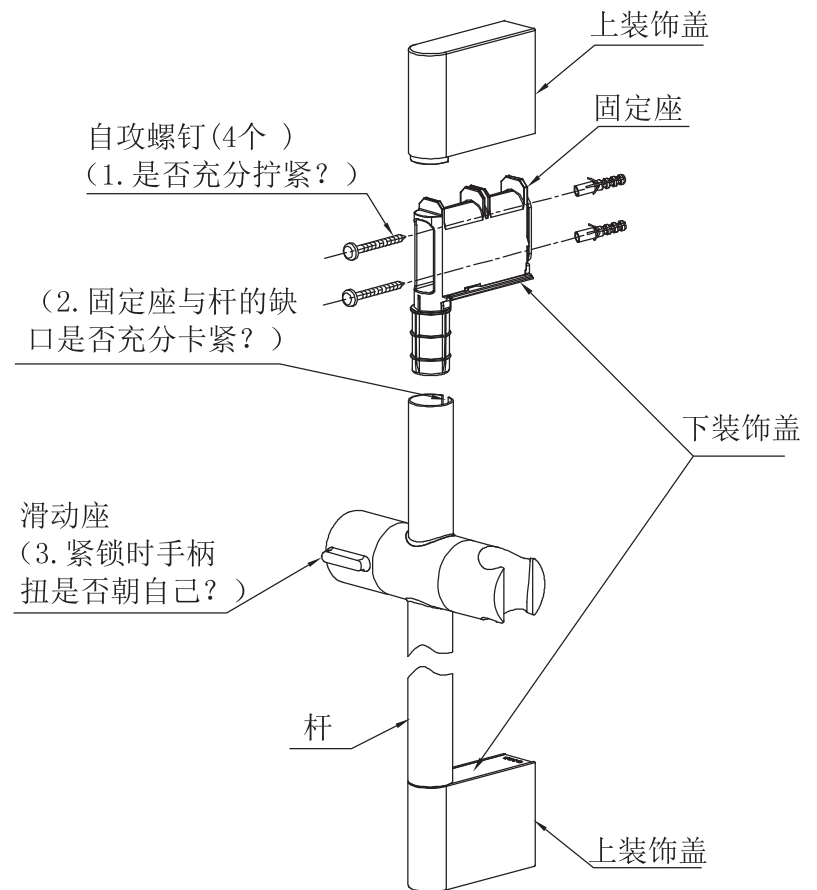
产品示意图



拆卸与检查

| 现象 | 检查项目 |
|----------|------|
| 松动 | 1、2 |
| 手持花洒无法安装 | 3 |

安装后万一出现故障，请按以下要领拆卸。
 (此图内未拆分的零部件，需要拆卸的情况下，请联络售后服务人员进行拆卸)
 适用于：TBW07018*、TBW07019*



产品保修卡

| | |
|-------|-----------------|
| 用户 | |
| 销售安装店 | |
| 购买日 | |
| 保修期 | 自购买日起淋浴组件保修期为1年 |

- * 若上栏内容未记全，该产品保修卡将视为无效。因此请用户购买时对記入内容进行确认。
- * 本产品保修卡中的保修项目仅限于产品保修卡中所约束的免费维修项目进行维修。
- * 在保修期间，若产品发生故障（漏水、渗漏），请拨打全国售后服务电话报修。

维修规定

1. 保修期间，在用户正确按说明书、不干胶贴等指示，使用本公司产品的情况下，本公司将对有故障产品进行免费维修。
2. 在保修期内发生损坏需要得到免费维修时，请拨打全国售后服务电话报修。
3. 在保修期内，下面所列场合的维修为有偿维修。
 - ①使用不当或私自进行的不当修理及改造造成的故障及损伤。
 - ②安装施工时的不注意或过失造成的故障及损伤。
 - ③安装后又拆移等原因造成的故障及损伤。
 - ④超出使用范围以外的场合下使用本产品所造成的故障及损伤（如家庭用商品作为业务上商品使用。）
 - ⑤砂粒或污物等造成的损伤。
 - ⑥由于日常的维护保养不当造成的肮脏、电镀部分生锈等不良。
 - ⑦由于火灾、地震、水灾、雷击及其他天灾、公害、气害（液化气）、盐害及异常电压、使用指定外的电源（电压、频率）等原因造成的故障及损伤。
 - ⑧本产品保修卡没指定的场合。
 - ⑨本产品保修卡中用户姓名、销售店、安装店、购买日期未填写的场合。
 - ⑩不能出示购买发票的场合。
 - ⑪由结冰引起的故障。
4. 本产品保修卡只在中国境内有效。（香港、澳门、台湾地区除外）
5. 本产品保修卡丢失不补，请顾客妥善保管。

合格证

本产品经检查判定合格

执行标准：QB/T 1560-2017

产品型号：见包装箱上的标签

产品名称：见包装箱上的标签

生产日期：见包装箱上的标签

组装工厂：东陶（大连）有限公司

电 话：（0411）87624383

厂 址：大连经济技术开发区东北二街17号

东陶(中国)有限公司

全国售后服务电话：800-820-9787(固定电话)

400-820-9787(手机用户)



扫描二维码，
服务预约，方便快捷

销售商：东陶(中国)有限公司

地 址：北京市朝阳区光华路1号 北京嘉里中心北楼1915室

网 址：www.toto.com.cn

Table of Contents

| Table of Contents | |
|---|---|
| Table of Contents | 1 |
| Specification | 2 |
| Conditions and Attentions for Use | 3 |
| Maintenance for Use | 4 |
| Product Structure Diagram | 5 |
| Disassembly and Inspection | 6 |
| Product Warranty Card | 7 |

Specification


| Specification | |
|---|-----------|
| Slide Bar assembly | 1 set |
| Fixed seat + Upper escutcheon + Lower escutcheon | 2 sets |
| Tapping Screw (2pcs.) | 2 sets |
| Installation Manual | 1 booklet |
| User Manual | 1 booklet |
| Products using this specification include: | |
| TBW07018* "G" Sliding Rail 950 | |
| TBW07019* "G" Sliding Rail 740 | |


Conditions and Attentions for Use

Use conditions

1. The ambient temperature for use is above 1°C.
2. If you want to scrap this product, do not treat it as you do for general household garbage. Please follow relevant statutes to have it treated, recovered and collected appropriately by an independent recovery system.
3. The product in the present instructions has such a function as placing shower and adjusting the bath height.

Attention for use

 Warning: Indicates that if you overlook this sign, causing misoperation, it may result in serious injury or death.

 Attention: Indicates that if you overlook this sign, causing misoperation, it may cause personal injury or property damage.

Warning

1. Children are prohibited from using it or need to be supervised by adults when using it, and special groups such as the elderly and the disabled should be accompanied by people with physical capacity when using it.
2. Never hang on or lean against any location of the product. Otherwise, the product may fall and cause injury to people due to unstable installation.

Attention

1. Do not hit this product; otherwise it may cause malfunction or water leakage.
2. In adjusting the slide seat, be sure to loosen the knob to avoid damage to the fixed rod.
3. It must be cleaned with a neutral detergent as other detergents will damage the coating or discolor the surface.
4. Do not use acidic detergents or detergents containing coarse particles, such as cleaning powder and polishing powder, and nylon brushes, as they may damage the coating, etc.
5. It can be wiped with a soft cloth, or wiped with machine oil or a cloth soaked with paraffin for cars occasionally, but do not let them be in touch with the resin parts; otherwise they may lose luster or generate rust.
6. As the product model is constantly updated, the actual product may not look the same as it is shown in the diagram, but the basic installation and operation principles are the same.

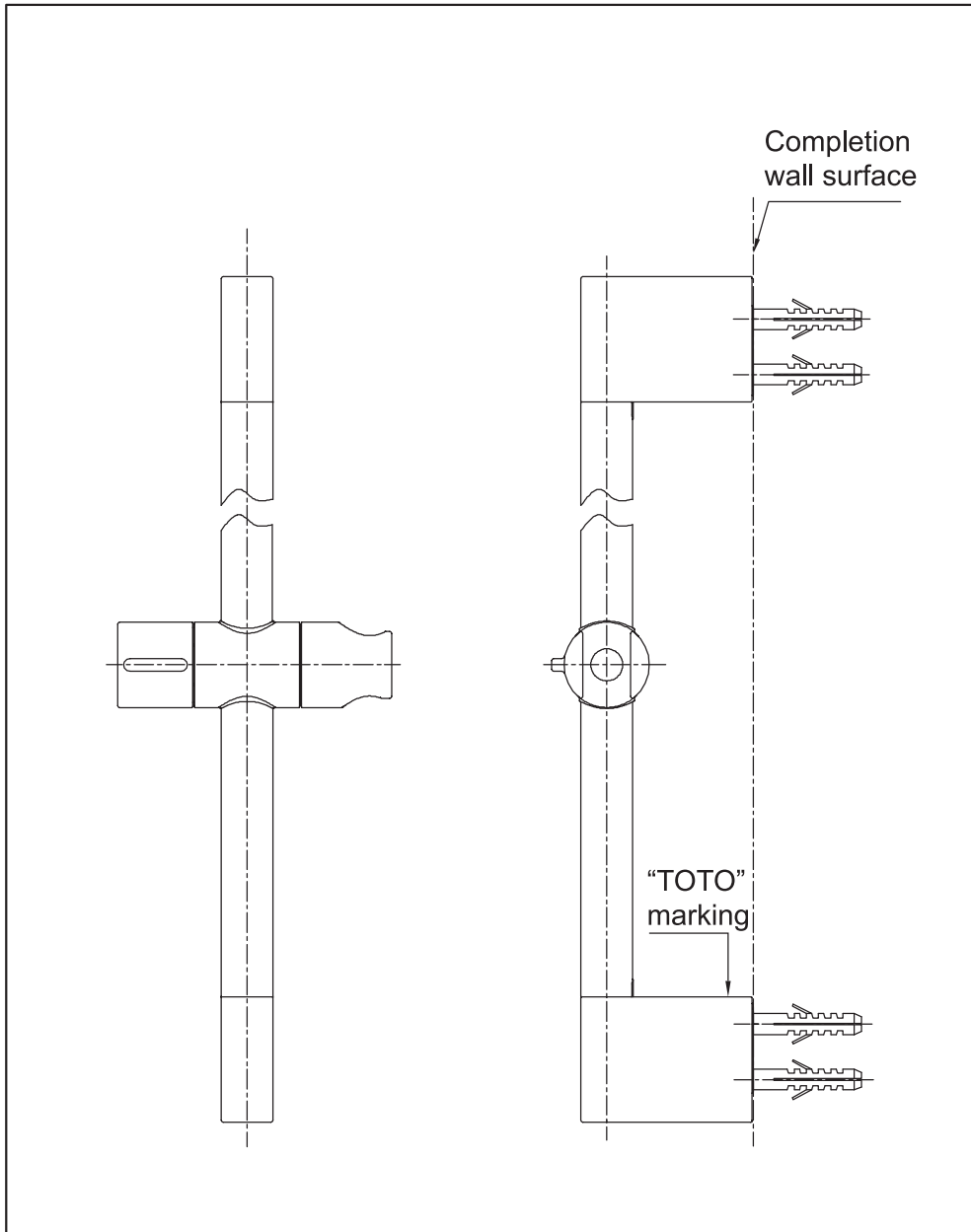
Maintenance

Maintenance

In order to maintain the decent appearance of the product for a long time, please maintain it according to the following methods.

1. Wipe with a soft cloth often, or wipe with a soft cloth with water occasionally.
2. When there is dirt and it is obvious, please wash it with water thoroughly after wiping it with neutral detergent.

Product Structure Diagram



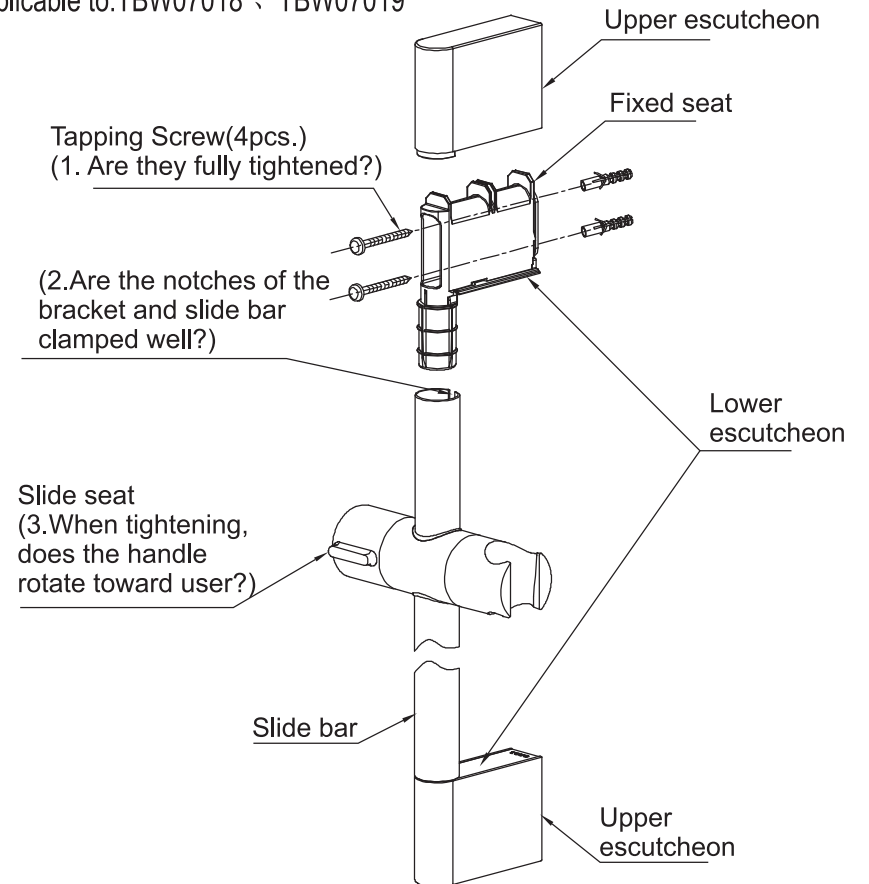
Disassembly and Inspection

| Issues | Inspection item |
|---|-----------------|
| loose | 1、 2 |
| The handheld shower cannot be installed | 3 |

In case that there is malfunction after installation, please disassemble it according to the following instructions.

(For the parts not disassembled in this figure, if they need to be disassembled, please contact the after-sales service personnel for disassembly)

Applicable to: TBW07018*, TBW07019*



Product Warranty Card

| | |
|-------------------------------|---|
| User | |
| Sales and installation stores | |
| Date of purchase | |
| Warranty period | Warranty period of slide bar components is 1 year since the date of purchase. |

*If the contents on the above column are not recorded completely, the warranty card will be considered invalid. Therefore, please confirm the recorded contents at the time of purchasing.

*The warranty items in this product warranty card are limited to the free repair items covered by the warranty card for maintenance.

*During the warranty period, if the product breaks down (such as water leakage,oozing),please call after sale service to request repairs.

Repair Regulations

1. During the warranty period, under the condition that the users use TOTO products in accordance with the manual and the instructions on the labels, etc., TOTO will repair the malfunctioning products for free.
2. If damage occurs in the warranty period is required to be repaired for free, please call after sale service to request repairs.
3. During the warranty period, the repairs with the following situations are charged.
 - ① Failure and damage caused by improper use, or improper repair or unauthorized modification.
 - ② Failure or damage caused by inattention or negligence during the installation.
 - ③ Failure and damage caused by disassembly after installation.
 - ④ Failures and damages caused by using this product in the sites outside the scope of use (such as residential products used as a commercial product).
 - ⑤ Damage caused by dirt or debris.
 - ⑥ Improper daily maintenance, such as dirt, rust of plating locations.
 - ⑦ Failures and damages caused by fire, earthquake, flood, lightning and other natural disasters, public hazard, gas damage (liquefied gas), salt damage and abnormal voltage, use of the non-specified power source (voltage, frequency) and other reasons.
 - ⑧ The installation locations not specified in this warranty card.
 - ⑨ For the occasions that the user name, sale store, installation store, and the date of purchase are not filled in this warranty card.
 - ⑩ For the occasions that the user is unable to present the purchase invoice.
 - ⑪ Failure caused by icing.
4. The warranty card is valid within the territory of the People's Republic of China.(Excluding Hongkong, Macao and Taiwan)
5. This warranty card may not be replaced when it is lost. Please keep it safe.

TOTO Asia Oceania Pte. Ltd.

telephone:65-6744-6955

FAX: 65-6841-0819

Address: 10 Eunos Road 8 #12-07 Singapore Post Centre
Singapore 408600

Website:asia.toto.com

TOTO KOREA LTD.

전화번호 : (02)-3141-8236

FAX 번호 : (02)-3141-8240

주소 : 서울시 마포구 토정로 112(상수동, 로이코빌딩 3층)

홈페이지 : <http://kr.toto.com>